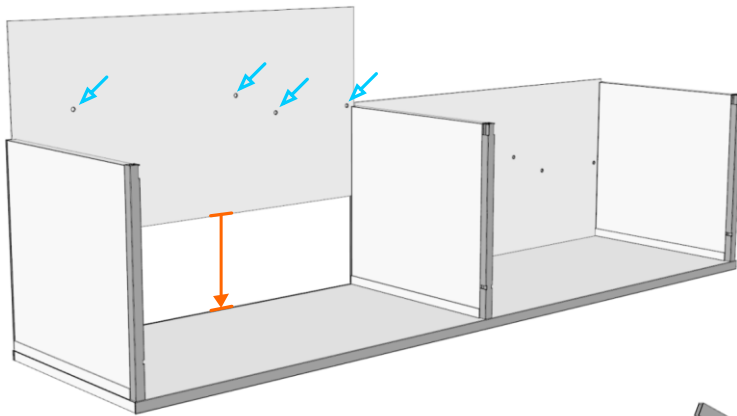
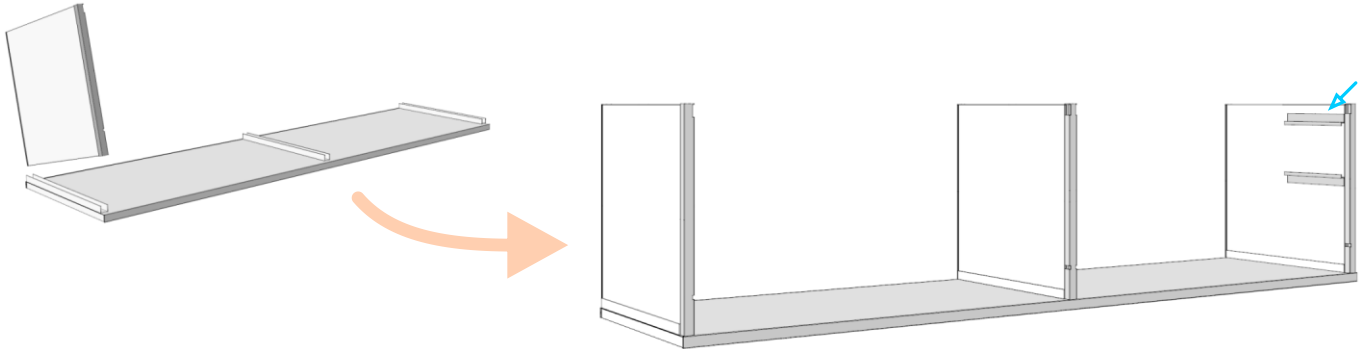


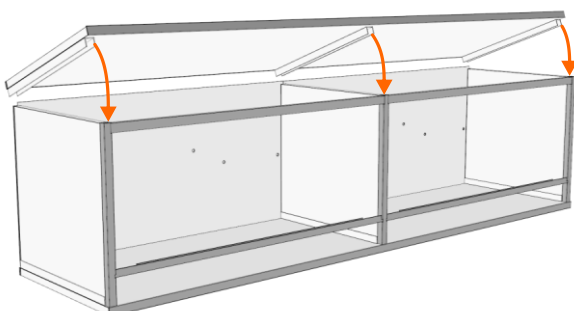
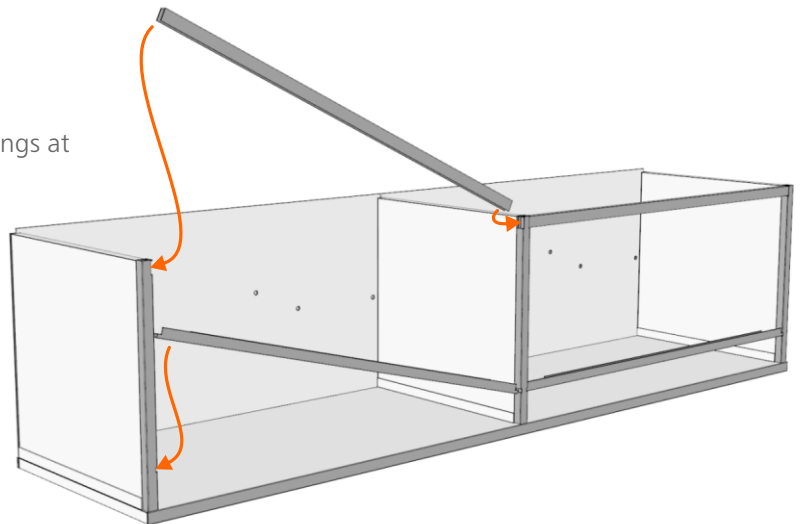
Assembly instructions

- ① a) Place the bottom of the cage on a stable and flat surface.
b) Insert the side and any dividing panels into the profiles, starting at the corner. Note for cages with nesting trays: the runners must be installed in the correct position (see ↗ on the right-hand panel of the cage in the image below).



② Slide the back(s) into the grooves in the bottom and side panels. Take into account the positions of the openings for the perches and the nesting tray if present (see ↗, these must correspond with the front panel, which is still to be installed).

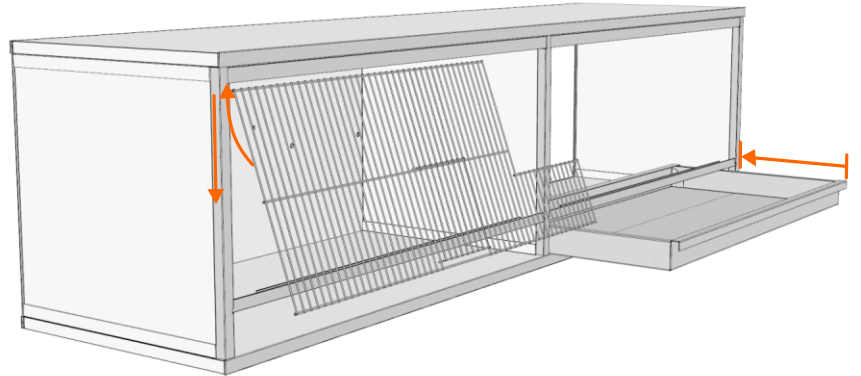
- ③ Install the aluminium U-profiles in the openings at the front of the side panels.



④ Install the top panel (or the connecting panel) by holding it at an angle and inserting the side panels into the profiles. Lower the top panel onto the base, ensuring that the top edge of the back slides into the groove in the underside of the top panel. Press/tap everything tightly together.

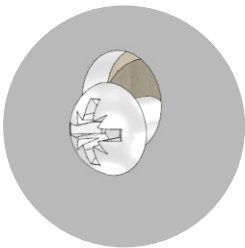
- ⑤ a) Install the front panel by inserting it into the upper profile and then lowering it into the lower profile.

- b) Slide the tray(s) into the opening under the front panel.



back

front



The perches can be installed by sliding them, with the screw head at the back, through the rear wall, the groove at the front will slide around a bar in the front panel. ⑥

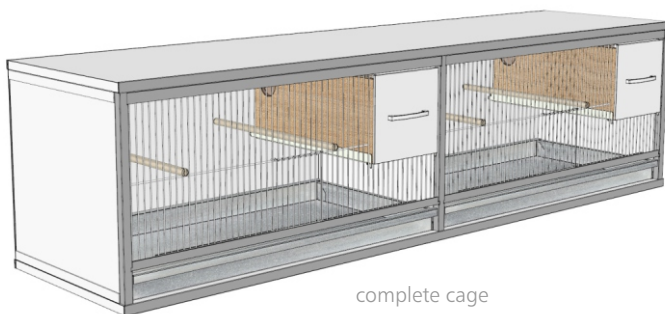
- b) For cages with a parakeet nesting tray, the runners are installed in a similar way as the perches: at the back, hook them through a hole in the back panel, and at the front, hang them over the bar in the front panel.



back



front



- ⑦ To extend the cage with various units, the top must be replaced by a connecting panel (with profiles on both sides). The other instructions remain the same.

